



ENERGY EFFICIENT LED LIGHTING ©

LIGHTING EVOLVED

## WHY LED?

Light emitting diodes (LEDs) have been used for years, primarily in the electronics industry for circuit board mounted indicator lights. Recently, technological advancements have expanded the use of LEDs into a variety of fields in the transportation, residential and commercial sectors.

LEDs provide increased brightness, reduce maintenance and offer an energy efficiency operating standard superior to incandescent, halogen and fluorescent tube lighting. LEDs are also the lighting option with the lowest environmental impact.

## WHY CRS LED?

CRS Electronics has been building high quality, high output LEDs for close to 10 years. With our engineering expertise, we have developed and supplied LED solutions for more than 50 leading companies. Applications include aviation, architectural, retail signage and display, automotive, theatrical, home décor, underwater, navigation and many more.



## BENEFITS OF LR6 LED TECHNOLOGY

- INDUSTRY LEADING DESIGN
- PATENTED CREE® TECHNOLOGY
- HIGH QUALITY WHITE LIGHT
- LONG LIFE 50,000+ HOURS OF OPERATION
- LOWER MAINTENANCE COSTS
- VIBRATION RESISTANT SOLID-STATE ELECTRONICS
- DIMMABLE
- LOW HEAT GENERATION
- ACTIVE COLOR MANAGEMENT SYSTEM FOR COLOR CONSISTENCY
- LOWER ENVIRONMENTAL IMPACT

## WHO IS CRS?

CRS Electronics knows LEDs. Our innovations include high lumen output, dimmability, transformer independence and intelligent circuit boards. At CRS, we are proud to offer the very best in LED lighting technology, incorporating bulbs and controls that perform to the highest standards in the industry. Engineering staff at our facility in Welland, Ontario, Canada can promptly handle all your LED light engine requirements.

Contact us to learn how you can save electricity, money and the environment with LEDs.

1.888.330.6786

[www.crselectronics.com](http://www.crselectronics.com)

# LR6

## THE CREE LR6 6" DOWNLIGHT MODULE

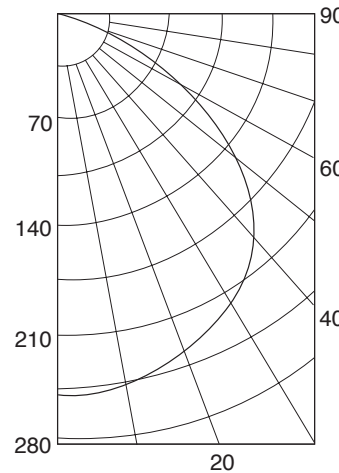
The LR6 is a downlight module suitable for new construction or retrofit that installs easily in most standard six inch recessed IC or non-IC housings. CRS Electronics became an authorized distributor of the CREE LR6 after using the CREE LEDs in many CRS lighting solutions. The CREE LR incorporates a patented innovation to combine high output, high efficiency and beautiful colour at a very affordable cost.

### DESIGN HIGHLIGHTS

- DURABLE DIE CAST ALUMINUM HOUSINGS AND COVER
- PROPRIETARY OPTICAL SYSTEM COMBINES REFLECTIVE AND REFRACTIVE COMPONENTS
- COMFORTABLE HIGH-ANGLE APPEARANCE
- INTEGRATED THERMAL MANAGEMENT SYSTEM
- DIMMABLE TO 20% WITH SOME INCANDESCENT DIMMERS
- INTEGRAL , HIGH EFFICIENCY DRIVER AND POWER SUPPLY
- POWER FACTOR > 0.95 INPUT VOLTAGE = 120V, 60HZ
- NOMINAL DELIVERED LIGHT = 650 LUMENS
- NOMINAL INPUT POWER 12 WATTS
- CRI = 92, CCT = 2700K OR 3500K
- TESTED AND CERTIFIED TO ULC STANDARDS



## LR6 PHOTOMETRY



**Intensity (Candlepower) Summary**

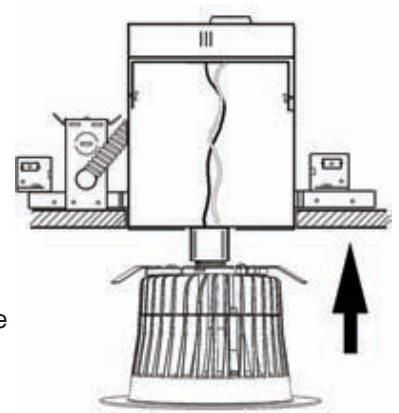
ANGLE	MEAN CP
0°	249
5°	248
15°	242
25°	228
35°	203
45°	165
55°	115
65°	62
75°	24
85°	6
90°	0

### Zonal Lumen Summary

Zo NE	LUMENS	%LAMP	%Flx
0° - 30°	196	30.39	30.39
0° - 40°	323	49.94	49.94
0° - 60°	553	85.35	85.35
0° - 90°	647	100.00	100.00

## INSTALLATION

- Designed to easily install in standard 6" downlight housings from the majority of manufacturers
- Quick install system utilizes a unique retention feature. Attach socket to module. Adjust module to ready position and slide into housing. Rotate module 1/4 turn to the right to lock in place.
- Reference [www.creeLLS.com](http://www.creeLLS.com) for housing compatibility



Standard 6" Recessed Housing