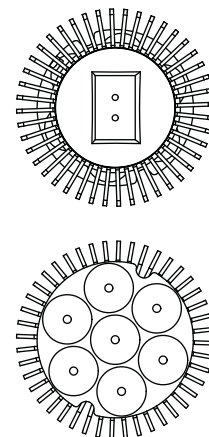
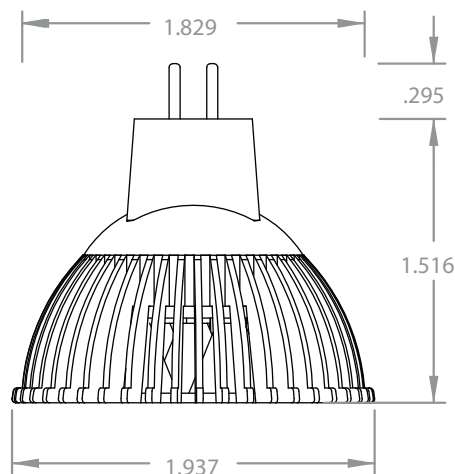


# CRS HIGH OUTPUT LED MR16



## SPECIFICATIONS:

Input Watts: 7.4W

Voltage: 12 VAC

Luminous flux: 470 lm

CCT: 3000K (Warm White)

CRI: 85

Optical Beam: 16° | 25° | 40°

Power Factor : 0.9

Warranty: 5 Years

Specifications subject to change without notice.  
ENERGY STAR certification pending.  
UL certification pending.

## FEATURES & BENEFITS:

- RoHS Compliant Contains no mercury or lead
- Patent Pending software automatically “learns” fixture and dimmer behavior to enhance compatibility and reduce flickering, even at low dimmer settings.
- World leading LED technology inside enables world class performance for light output.
- Thermal monitoring circuitry ensures that the lamp will automatically reduce power levels if required. Can be used in recessed fixtures without overheating.
- Assembled in North America with solid supply chain management practices - ensures quality components throughout.

## ORDERING INFORMATION

### DESCRIPTION:

CRS MR16 Warm White 2700K - 16° CMR16H27SP  
 CRS MR16 Warm White 2700K - 25° CMR16H27NF  
 CRS MR16 Warm White 2700K - 40° CMR16H27FL

### PART NUMBER:

### DESCRIPTION:

CRS MR16 Warm White 3000K - 16°  
 CRS MR16 Warm White 3000K - 25°  
 CRS MR16 Warm White 3000K - 40°

### PART NUMBER:

CMR16H30SP  
 CMR16H30NF  
 CMR16H30FL

**2700K COMING SOON**



## **COMING SOON ! MR16 Super Narrow Spot - 10°**

High CBCP is optimal for target merchandise and feature lighting. Also ideal for high ceilings.